

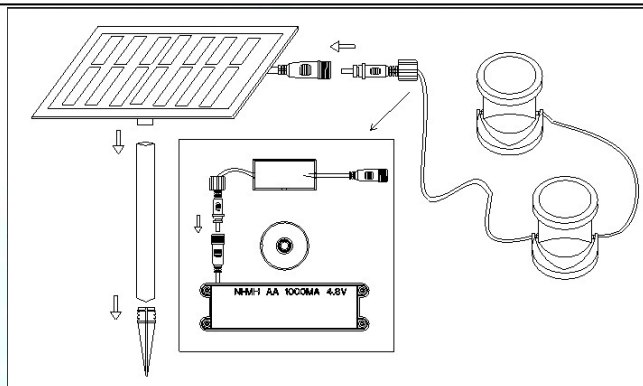
## 2LAMP70L AUTO ON/OFF SOLAR FLOODLIGHT MANUAL



- 35LED per lamp
- Lumen output per lamp- 8~9A
- Cable length- 5m
- Rechargeable Li-ion battery  
3.7V/6000mAH
- Initial Charge before use: 5-6Hrs
- Lighting time after full charge?  
10~12Hrs

Install panel in path of direct sunlight- facing south- without any shadows or obstructions from trees, buildings or other structures. Inclination should be at a 45degree angle to full sunlight. Be mindful of the position of morning and afternoon sun. Panel should be exposed to both. Brightness and duration of lights will depend on panel inclination and exposure to direct sun light.

1. Twin lamps connect to two leads on the back of 6W panel. Push male jack into female socket and lock in place with twist nut.
2. After installing panel with wall/roof mount or ground stake, turn power switch to on position. Install panel in morning so it has a full 5 to 6 hours of initial charge. Power switch must be on for built-in batteries to charge.
3. Install lights and enjoy your solar energy light system.



metrosolaromatics